

Wood Castle Bed Assembly Instructions

Conventional style

Parts provided:

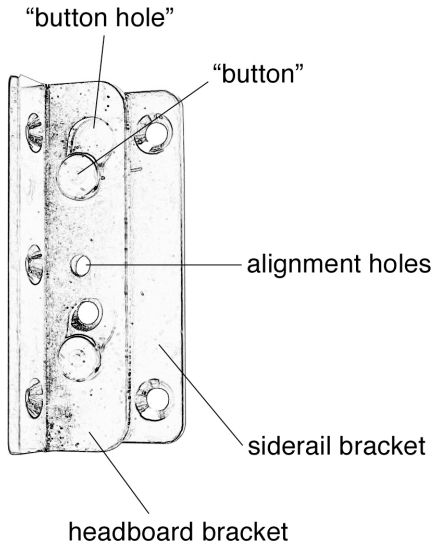
1. Headboard with brackets (1)
2. Footboard with brackets (1)
3. Side rails with brackets (2)
4. Slats (3)
5. Slat support posts (3)

Tools required: none

Instructions for assembly

(Note: While one person can assemble a bed, two can be helpful.)

1. Position headboard near its desired location in the room, using a wall to support if necessary.
2. Attach a side rail to one side of the headboard. Do the following, referring to graphic below:



- a. Connect the bracket at the end of the side rail to the bracket of the headboard by inserting the "buttons" of the side rail bracket into the larger diameter upper portion of the "button holes" on the headboard bracket.
- b. Once inserted, and while holding the rail more or less perpendicular to the headboard, firmly push/tamp down on the bed rail so that the "buttons" drop fully into the smaller diameter portion of the "button holes."
- c. When properly connected, the "buttons" are fully dropped and the butt-end of the side rail is in full contact (wood-to-wood) to the headboard. The bracket alignment holes should be lined up.

3. Attach the other side rail to the opposite headboard bracket, following the same procedure as outlined in Step 2 above.
4. Attach each side rail to the footboard as outlined above in Step 2 above.
5. From the side opposite the "T" nuts, screw the slat support posts into the slats. Tighten fully. This should leave approximately 1/4-inch clearance to the floor for some give.
6. Place the slats across the bed, fitting each in between the support blocks at the ends and middle.
7. Move assembled bed into permanent location. Check for square and ensure that all brackets are fully connected and that the slats are still in their correct positions.
8. Install the box spring and mattress and enjoy your Wood Castle bed.

Wood Castle Bed Assembly Instructions

Platform style

Parts provided:

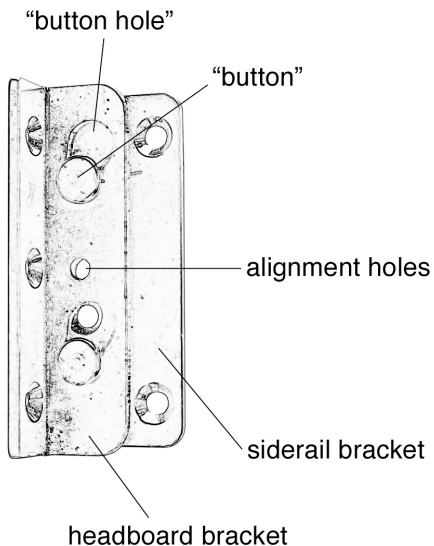
1. Headboard with brackets (1)
2. Footboard with brackets (1)
3. Side rails with brackets (2)
4. Webbed slat roll (1, with 11 or 13 slats, depending on bed size)
5. Slat support posts (3)

Tools required: none

Instructions for assembly

(Note: While one person can assemble a bed, two can be helpful.)

1. Position headboard near its desired location in the room, using a wall to support if necessary.
2. Attach a side rail to one side of the headboard. Do the following, referring to graphic below:



- a. Connect the bracket at the end of the side rail to the bracket of the headboard by inserting the "buttons" of the side rail bracket into the larger diameter upper portion of the "button holes" on the headboard bracket.
- b. Once inserted, and while holding the rail more or less perpendicular to the headboard, firmly push/tamp down on the bed rail so that the "buttons" drop fully into the smaller diameter portion of the "button holes."
- c. When properly connected, the "buttons" are fully dropped and the butt-end of the side rail is in full contact (wood-to-wood) to the headboard. The bracket alignment holes should be lined up.

3. Attach the other side rail to the opposite headboard bracket, following the same procedure as outlined in Step 2 above.
4. Attach each side rail to the footboard as outlined above in Step 2 above.
5. With assistance, if required, roll out the canvas-webbed slat roll lengthwise into the bed frame opening. The "T-nuts" for the slat support posts should be facing up. The end slats should stretch snug against the holding blocks at either end of the side rail (along the slat cleat).
6. Screw the slat support posts into the two end and the middle slats. Tighten fully. When the bed is completely assembled, the support posts should clear the floor by approximately 1/4-inch, to allow for some give.
7. Move assembled bed into permanent location. Check for square and ensure that all brackets are fully connected and that the slat roll is stretched taut.
8. Install mattress and enjoy your Wood Castle bed.